



**Safety Technology  
International**

## **Exit Stopper<sup>®</sup>**

STI-6400 Series



### **Features**

---

- Helps prevent unauthorized exits/entries through doors.
- Easy to install. Warning sound when turning on (two flashes/beeps) and off (one flash/beep).
- Add warning in second language with provided labels (21 languages).
- Select volume, alarm duration and delay settings.
- Mount on top, right, left or next to almost any door.
- Select on-site whether to use an alarm or annunciator.
- Low battery detection, beep and flashes.
- Alarm sounds and high power LED light flashes when activated.
- Dry contact Form C relay.
- Protect anything such as cabinet, extinguisher, etc. with an external reed or any mechanical switch.

**Rely on STI<sup>®</sup>**

## **Warnings**

---

All units are recommended for indoor use only. Unit must be tested periodically to verify the life of battery. STI recommends you change the 9 Volt battery twice a year. To hear alarm when normal work environment is loud, may need to purchase remote horns. When purchasing a remote unit (STI-6403 or STI-6404) you will need to periodically test the connections to make sure audibles function at a sound level to alert staff. Maximum of three remote alarms may be used in parallel.

All specifications and information shown are current as of publication and subject to change without notice.

## **Warranty Information**

---

- Three year guarantee against breakage of polycarbonate in normal use (one year on electro mechanical and electronic components).
- Electronic warranty form at [www.sti-usa.com/wc14](http://www.sti-usa.com/wc14)

## Specifications

---

### Polycarbonate Enclosure

Dimensions	5.375" W x 5.375" H x 2 " D (137mm x 137mm x 51mm)
Flammability	UL94 V-2
Wall Thickness	0.12 in (3.05mm)

### Electronics

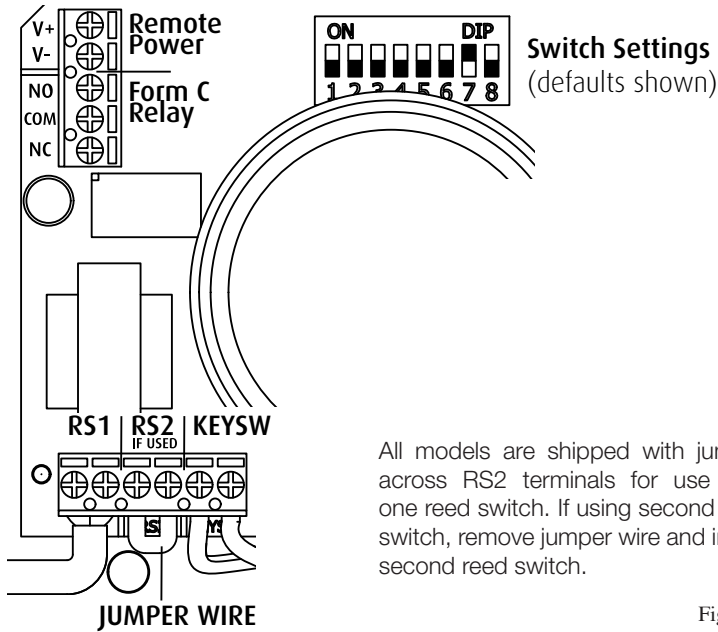
Power source	9 VDC battery If not using, slide switch 6 "on"
Remote power input	12VDC - 24VDC, 300mA Installed battery will act as backup power if switch 6 is "off"
Horn volume	30 cm high volume 112dB; low volume 97dB 100 cm high volume 102dB; low volume 88dB
Low battery detection	Flash 1x / minute; beep 1x / 3 minutes
Relay contacts	0.5A 125VAC / 1A 30VDC
Stand by current	Battery <15 $\mu$ A (Battery Life approx. 2 years dependent on use) 12VDC <0.15mA 24VDC <1mA
Alarm current (volume high + relay)	<286mA @12VDC <149mA @24VDC
Operating temperature	14°F to 122°F (-10°C to 50°C)
Power "on" notification	2 flashes and 2 beeps
Power "off" notification	1 flash and 1 beep

### Electronics: STI-6403 and STI-6404 - Remote Horn Unit

Power Source	9 VDC operating power* only
Horn Volume at 1 ft.	95 dB low / 105 dB high
Stand by Current	0 A
Alarm Current	50mA at 95 dB/ 200 mA at 105 dB

\* Power source for the STI-6403 and STI-6404 Remote Horn uses a separate power source from the STI-6400 alarm. The Remote Horn contains an internal 9 volt battery. Horn operates when the Form C contact at main unit is activated on alarm.

## Circuit Board Set-up



All models are shipped with jumper across RS2 terminals for use with one reed switch. If using second reed switch, remove jumper wire and insert second reed switch.

Figure 1

## Switch Settings

SWITCH SETTINGS	1	2	3	4	5	6	7	8
Arming - immediate	OFF*							
Arming - 15 second delay	ON							
Trip - immediate		OFF*						
Trip - 15 second delay		ON						
Shut-off based on duration (switches 4 & 5)			OFF*					
Shut-off approx. 3 sec. after door closes			ON					
Duration - 30 second alarm				OFF*	OFF*			
Duration - 180 second alarm				OFF	ON			
Duration - continuous alarm				ON	OFF			
Duration - annunciator mode				ON	ON			
Low battery detection → ON						OFF*		
Low battery detection → OFF						ON		
Volume - high							ON*	
Volume - low							OFF	
Relay function → OFF								OFF*
Relay function → ON								ON

Slide lever to desired ON/OFF position as labeled on circuit board.

\*factory settings

## Alarm Feature Description

Switch settings – factory default listed first

- 1 OFF = arming immediate (ON for 15 second delay)
- 2 OFF = trip immediate (ON for 15 second delay)
- 3 OFF = shut-off based on switches #4 and #5 (ON shut-off approx. 3 sec. after door closes)
- 4 OFF and Switch 5 OFF = duration 30 sec. (other options 4 OFF and 5 ON = duration 180 sec., 4 ON and 5 OFF duration continuous, 4 ON and 5 ON = annunciator beeps)
- 6 OFF = low battery detection. Flashes once per minute and beeps once every three minutes.  
ON turns off low battery detection, use when not operating battery for backup.
- 7 ON = high volume (OFF = low volume)
- 8 OFF = relay and battery power saver (ON for relay function)

## Test Alarm

Note: STI recommends testing the alarm in factory settings prior to mounting (see Switch Settings). **Disconnect all power sources before changing switch settings.**

1. Make sure key switch is in the OFF position.
2. Remove tamper screw on the side of the unit using the tamper wrench provided. Remove housing cover. Save the tamper wrench for future service and battery replacement (Fig. 2).
3. Connect battery.
4. Place magnet next to reed switch. Note: for STI-6402 and STI-6404 models, place magnet next to reed switches 1 & 2.
5. Turn the key switch to the ON position.
6. Move magnet away from reed switch. Unit should alarm immediately.
7. Turn unit off with the key to silence alarm.
8. Apply optional label if desired.

## Installation Instructions

1. Set switches on circuit board to desired alarm settings (Fig. 1).
2. If using external power source, use Class II UL Listed 12-24VDC supply. If not using 9V battery, be sure switch 6 is in “ON” position before connecting any power. Refer to page 4 figure 1.
3. Mount main unit on or next to the door using hardware provided. Reed switch may be located in one of four internal positions or route the reed switch through the slot in the bottom of the cover as shown in Fig. 3.

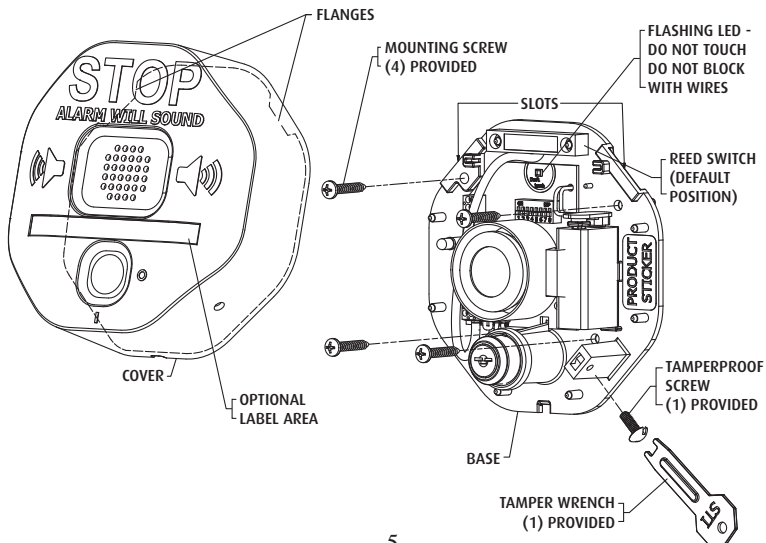


Figure 2

## Installation Instructions (continued)

4. Mount magnet using hardware provided. Magnet must be within  $\frac{3}{4}$ " of the reed switch when door is closed. Please refer to figures 8, 9 and 10 for other mounting options. Note: When mounting on metal doors or door frame, use plastic spacers provided.
5. If installing STI-6402, STI-6403, STI-6404 or STI-6405 continue to page 6.
6. Replace cover by sliding flanges on inside of cover into slots on base, snap closed and replace the tamper screw.

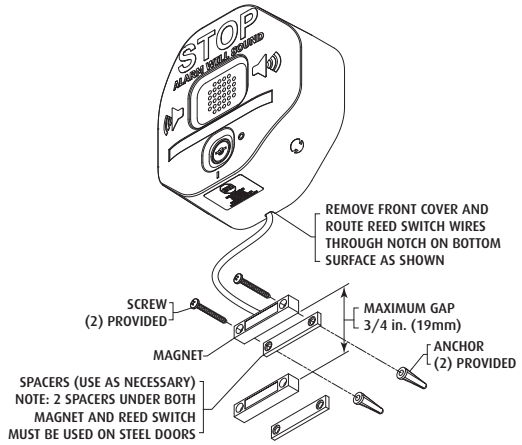


Figure 3

## STI-6402 Double Door Install Notes

1. If not using extra reed switch, leave jumper wire across terminals RS2 on terminal block.
2. Determine length needed for reed switch wires. STI provides 1 reed switch with 6 ft. wires. Cut to desired length.
3. Connect first reed switch in RS1 and second in RS2 (Fig. 5). (Refer to Fig. 1 for additional details.)

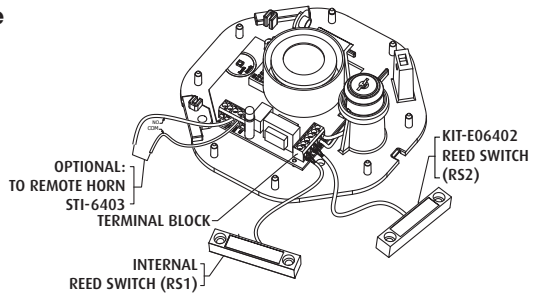


Figure 4

## STI-6403 Remote Horn Install Notes

1. Remove cover.
2. Move relay function (switch 8) to "ON" (see page 4).
3. Connect two conductor wire (14-24 AWG) from main unit terminal block pins COM and NO to remote horn unit terminal block (wire not provided). Units can be set up to 300 ft. apart. Not polarity sensitive (refer to Fig. 1 and Fig. 5 for details).
4. Connect internal battery.
5. Mount similar to main unit with #8 x 1 in. screws and anchors if necessary.
6. Replace cover and screws.
7. Turn key switch to ON position.

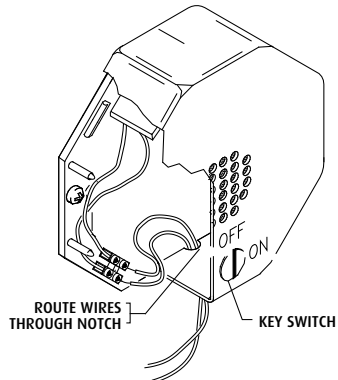


Figure 5

\*Note: The ON/OFF key position is opposite from 6400 main unit. Remote horn sounds when main unit alarm is activated.

## STI-6404 Double Door with Remote Horn Install Notes

The STI-6404 is a combination unit for double doors with a remote horn. Reference the installation instructions for the main unit, the STI-6402 and the STI-6403 for complete installation.

## STI-6405 Exit Stopper with Momentary Reset

The STI-6405 uses a momentary switch. After initial installation, unit is always on and you do not have to remember to turn it on when you leave a protected area. This model also eliminates having to remember to re-arm it because it is never off.

When the alarm is triggered, to silence the alarm, insert the key and turn completely to the "RESET" position and hold for 2 seconds, then release. The switch will spring back to its original position and push the key out. To turn the unit off, supply power must be removed.

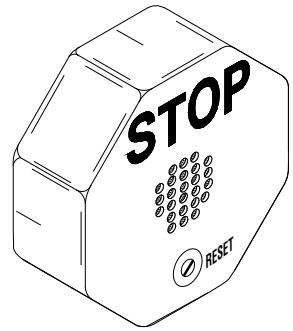


Figure 6

## Label Option

- Optional use
- Recommend applying before mounting
- Provides bilingual instructions
- Select from 21 languages

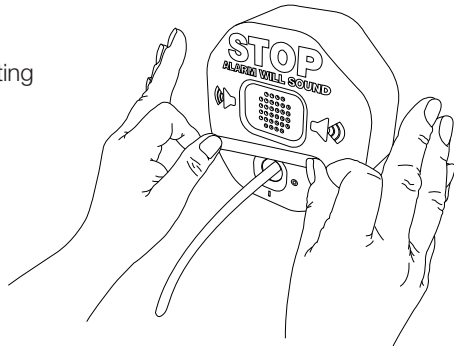


Figure 7

## Mounting Options

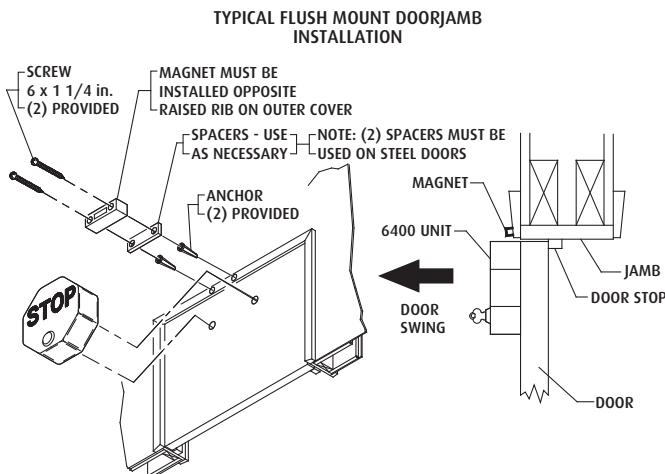
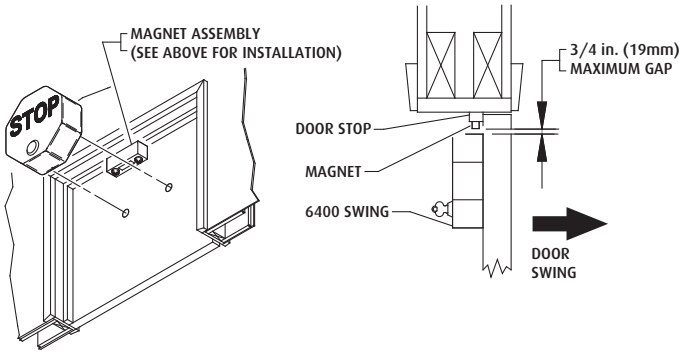


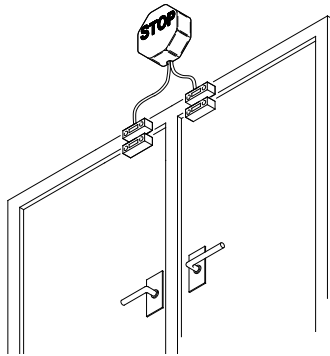
Figure 8

TYPICAL RECESSED MOUNT DOORJAMB  
INSTALLATION



\*Note: When mounting reed switch on door and the main unit on wall, wire service loop must be used.

Figure 9



TYPICAL DOUBLE DOOR INSTALLATION  
STI-6402

Figure 10



**Safety Technology  
International**

2306 Airport Rd • Waterford, MI 48327, USA  
Phone: 248-673-9898 • Fax: 248-673-1246  
info@sti-usa.com • www.sti-usa.com

Taylor House • 34 Sherwood Road • Bromsgrove  
Worcestershire • B60 3DR • England • Tel: +44 (0)1527 520 999  
Fax: +44 (0)1527 501 999 • info@sti-emea.com • www.sti-emea.com